

Ausdrehen

Mit stirnseitigem Freiwinkel von 20°. Geeignet ab Bohrungsdurchmesser 3,2 mm.

Boring

With 20° front side clearance angle. For use in bores as of minimum bore diameter 3,2 mm.

Schnittwerte (Start) // Cutting parameters (start)

| | |
|-----------|----------------|
| f | Vc |
| 0,02 mm/U | Seite/Page 429 |

Passende Klemmhalter auf Seite // Suitable toolholders on page

- 26, 27, 28, 29, 31, 32, 33, 34, 35,
- 36, 37, 40, 41, 42, 43, 44, 45, 46,
- 50, 51, 52, 53, 54, 55, 56, 57, 58,
- 60, 61, 62, 63, 64, 65, 66, 67, 68,
- 69



SP HM R Legende Legend 139

Scan QR-Code Oder besuchen Sie // Or Visit www.simtek.info/cp/1056

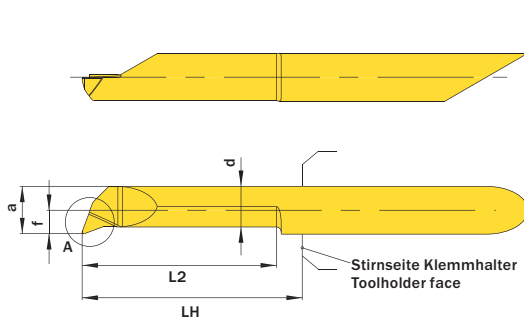


Abbildung zeigt / Drawing shows: A05.2025.20.52.20 Y R

Version LH = 13,0 mm
0.5118"

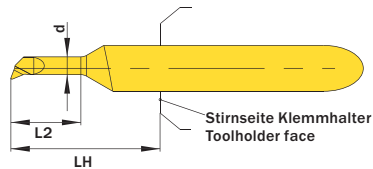
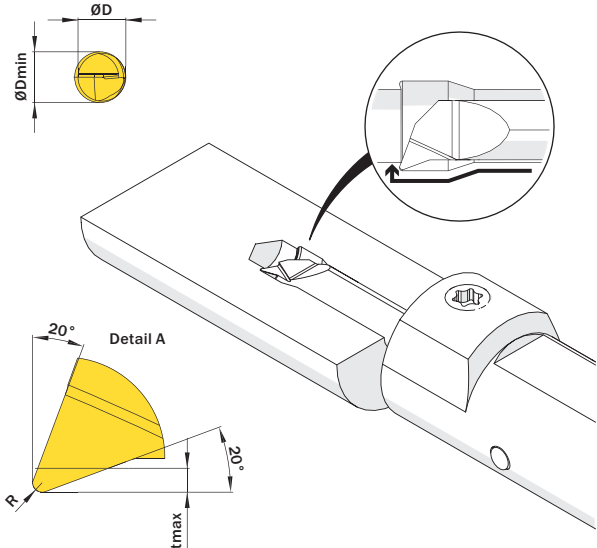


Abbildung zeigt / Drawing shows: A04.2010.06.22.10 Y R



Mehr Informationen zur Kühlmittelzufuhr finden Sie auf Seite 22
Additional information about through coolant supply on page 22

| ØD | L2 | ØDmin (Min. Bohrung) ØDmin (min. bore) | R | Kühlmittelzufuhr Through coolant supply | Artikelnummer Part number | Webcode www.simtek.com/webcode | Unsere erste Wahl Our first choice | a | d | f | LH | tmax | Connectcode www.simtek.com/code |
|----|----|---|----|--|------------------------------|---|---------------------------------------|----|----|----|----|------|---|
| mm | mm | mm | mm | | | | P K M N S | mm | mm | mm | mm | mm | |

Fortgesetzte Tabelle
Continued Table

Verwandte Werkzeuge finden Sie auch auf der vorhergehenden Seite!
Related items can be found on the previous page as well!

| ▼ ØDmin (Min. Bohrung) // ØDmin (min. bore) = 3,2 mm | | | | | | | | | | | | | | | | | | | |
|--|------|-----|------|---|------------------------|---|------|---|------|-----------|------|------|------|------|-----|---|--------|---|--------|
| 4,0 | 10,2 | 3,2 | 0,15 | - | A04.2015.10.32.15 YR/L | R | AGPV | L | ANEV | X800 X400 | 2,95 | 2,55 | 1,45 | 13,0 | 0,2 | R | A04.R | L | A04.L |
| 4,0 | 10,2 | 3,2 | 0,15 | + | A04.2C15.10.32.15 YR/L | R | AXBP | L | AXBX | X800 X400 | 2,95 | 2,55 | 1,95 | 13,0 | 0,2 | R | A04C.R | L | A04C.L |
| 4,0 | 15,2 | 3,2 | 0,15 | - | A04.2015.15.32.15 YR/L | R | ADP3 | L | ACQ5 | X800 X400 | 2,95 | 2,55 | 1,45 | 18,0 | 0,2 | R | A04.R | L | A04.L |
| 4,0 | 15,2 | 3,2 | 0,15 | + | A04.2C15.15.32.15 YR/L | R | AXBQ | L | AXBY | CBN | 2,95 | 2,55 | 1,95 | 18,0 | 0,2 | R | A04C.R | L | A04C.L |
| 4,0 | 20,3 | 3,2 | 0,15 | - | A04.2015.20.32.15 YR/L | R | ADQT | L | AMTZ | X800 X400 | 2,95 | 2,55 | 1,45 | 23,0 | 0,2 | R | A04.R | L | A04.L |
| 4,0 | 20,3 | 3,2 | 0,15 | + | A04.2C15.20.32.15 YR/L | R | AXBS | L | AXBZ | X800 X400 | 2,95 | 2,55 | 1,95 | 23,0 | 0,2 | R | A04C.R | L | A04C.L |
| ▼ ØDmin (Min. Bohrung) // ØDmin (min. bore) = 4,2 mm | | | | | | | | | | | | | | | | | | | |
| 4,0 | 10,2 | 4,2 | 0,15 | + | A04.2020.10.42.15 YR/L | R | ANM5 | L | APP6 | X800 X400 | 3,95 | 3,45 | 1,95 | 13,0 | 0,3 | R | A04C.R | L | A04C.L |
| 4,0 | 15,2 | 4,2 | 0,15 | + | A04.2020.15.42.15 YR/L | R | AGMX | L | AM49 | X800 X400 | 3,95 | 3,45 | 1,95 | 18,0 | 0,3 | R | A04C.R | L | A04C.L |
| 4,0 | 20,3 | 4,2 | 0,15 | + | A04.2020.20.42.15 YR/L | R | ABF1 | L | AM26 | X800 X400 | 3,95 | 3,45 | 1,95 | 23,0 | 0,3 | R | A04C.R | L | A04C.L |
| 4,0 | 25,4 | 4,2 | 0,15 | + | A04.2020.25.42.15 YR/L | R | AB94 | L | APN2 | X800 X400 | 3,95 | 3,45 | 1,95 | 28,0 | 0,3 | R | A04C.R | L | A04C.L |
| ▼ ØDmin (Min. Bohrung) // ØDmin (min. bore) = 5,2 mm | | | | | | | | | | | | | | | | | | | |
| 5,0 | 10,2 | 5,2 | 0,2 | + | A05.2025.10.52.20 YR/L | R | APTK | L | AK53 | X800 X400 | 4,95 | 4,2 | 2,45 | 13,0 | 0,5 | R | A05.R | L | A05.L |
| 5,0 | 15,2 | 5,2 | 0,2 | + | A05.2025.15.52.20 YR/L | R | ANUH | L | AF44 | X800 X400 | 4,95 | 4,2 | 2,45 | 18,0 | 0,5 | R | A05.R | L | A05.L |
| 5,0 | 20,3 | 5,2 | 0,2 | + | A05.2025.20.52.20 YR/L | R | AGM9 | L | AEE5 | X800 X400 | 4,95 | 4,2 | 2,45 | 23,0 | 0,5 | R | A05.R | L | A05.L |
| 5,0 | 25,4 | 5,2 | 0,2 | + | A05.2025.25.52.20 YR/L | R | A2BD | L | A2BJ | X800 X400 | 4,95 | 4,2 | 2,45 | 28,0 | 0,5 | R | A05.R | L | A05.L |
| 5,0 | 30,5 | 5,2 | 0,2 | + | A05.2025.30.52.20 YR/L | R | AB78 | L | AGJJ | X800 X400 | 4,95 | 4,2 | 2,45 | 33,0 | 0,5 | R | A05.R | L | A05.L |
| ▼ ØDmin (Min. Bohrung) // ØDmin (min. bore) = 6,2 mm | | | | | | | | | | | | | | | | | | | |
| 6,0 | 40,6 | 6,2 | 0,2 | + | A06.2030.40.62.20 YR/L | R | AW93 | L | AXAY | X800 X400 | 5,95 | 5,25 | 2,95 | 43,0 | 0,5 | R | A06.R | L | A06.L |
| ▼ ØDmin (Min. Bohrung) // ØDmin (min. bore) = 7,2 mm | | | | | | | | | | | | | | | | | | | |
| 7,0 | 50,8 | 7,2 | 0,2 | + | A07.2035.50.72.20 YR/L | R | AW94 | L | AXAZ | X800 X400 | 6,95 | 6,25 | 3,45 | 53,0 | 0,5 | R | A07.R | L | A07.L |

Bestellbeispiel // Order example: A04.2020.25.42.15 YR X800 (R = Rechte Ausführung // Right hand version, X800 = Schneidstoff // Grade)