

# Stechen von Vollradiusnuten

Geeignet ab Bohrungsdurchmesser 16,0 mm.

## Full Radius Grooving

For use in bores as of minimum bore diameter 16,0 mm.

Schnittwerte (Start) // Cutting parameters (start)	
f	Vc
0,02 mm/U	Seite/Page 429

Passende Klemmhalter auf Seite // Suitable toolholders on page  
**159, 160, 163, 164**

SP  
CBN

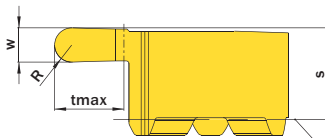
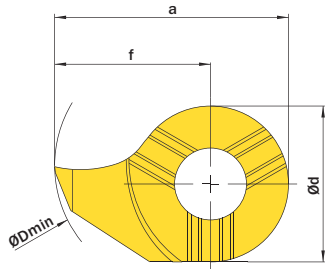
SP  
HM

R

Legende  
Legend **213**

Scan  
QR-Code

Oder besuchen Sie // Or Visit  
[www.simtek.info/cp/1332](http://www.simtek.info/cp/1332)



Stirnseite Klemmhalter  
Toolholder face

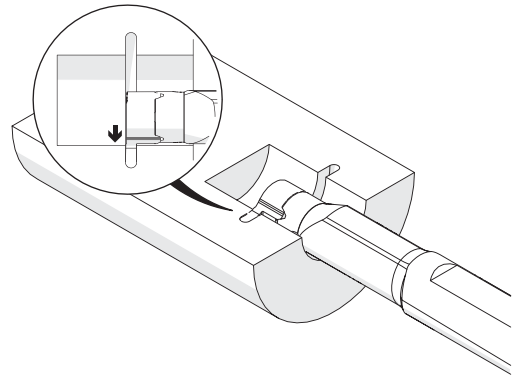


Abbildung zeigt / Drawing shows: D14.0010.20 V R

R	w <sup>+0,05</sup>	Artikelnummer Part number	Webcode <a href="http://www.simtek.com/webcode">www.simtek.com/webcode</a>	Unsere erste Wahl Our first choice	a	Ød	ØDmin (Min. Bohrung) ØDmin (min. bore)	S	f	tmax	Connectcode <a href="http://www.simtek.com/code">www.simtek.com/code</a>
mm	mm		<a href="http://www.simtek.com/webcode">www.simtek.com/webcode</a>	P K M N S	mm	mm	mm	mm	mm	mm	<a href="http://www.simtek.com/code">www.simtek.com/code</a>

Fortgesetzte Tabelle // Continued Table      Verwandte Werkzeuge finden Sie auch auf der vorhergehenden Seite!  
Related items can be found on the previous page as well!

▼ ØDmin (Min. Bohrung) // ØDmin (min. bore) = 16,0 mm											
0,8	1,6	<b>D16.0008.16 VR/L</b>	R AFK1 L AM7T	X800 X400	15,7	11,0	16,0	5,4	10,2	4,3	D16
0,9	1,8	<b>D16.0009.18 VR/L</b>	R AMCU L ABQE	X800 X400	15,7	11,0	16,0	5,4	10,2	4,3	D16
0,991	1,981	<b>D16.0010.198 VR</b>	A6E7	X800 X400	15,7	11,0	16,0	5,4	10,2	4,3	D16 <span style="float: right;">new inch</span>
1,0	2,0	<b>D16.0010.20 VR/L</b>	R AKNU L AJWC	X800 X400	15,7	11,0	16,0	5,4	10,2	4,3	D16
1,1	2,2	<b>D16.0011.22 VR/L</b>	R AD51 L ABHK	X800 X400	15,7	11,0	16,0	5,4	10,2	4,3	D16
1,2	2,4	<b>D16.0012.24 VR/L</b>	R AJJS L APFØ	X800 X400	15,7	11,0	16,0	5,4	10,2	4,3	D16
1,5	3,0	<b>D16.0015.30 VR/L</b>	R AJA7 L AE92	X800 X400	15,7	11,0	16,0	5,4	10,2	4,3	D16
1,6	3,2	<b>D16.0016.32 VR/L</b>	R AGCX L AJK3	X800 X400	15,7	11,0	16,0	5,4	10,2	4,3	D16
2,0	4,0	<b>D16.0020.40 VR/L</b>	R APN4 L AHYY	X800 X400	15,7	11,0	16,0	5,4	10,2	4,3	D16
0,787	1,575	<b>D16.0031.62 VR</b>	A2VK	X800 X400	15,7	11,0	16,0	5,4	10,2	4,3	D16 <span style="float: right;">inch</span>
1,575	3,175	<b>D16.0062.12 VR</b>	A2BP	X800 X400	15,7	11,0	16,0	5,4	10,2	4,3	D16 <span style="float: right;">inch</span>
▼ ØDmin (Min. Bohrung) // ØDmin (min. bore) = 18,0 mm											
0,9	1,8	<b>D18.0009.18.18 VR/L</b>	R AVD9 L AVEA	X800 X400	17,5	11,0	18,0	5,6	12,0	6,0	D18
1,1	2,2	<b>D18.0011.22.18 VR/L</b>	R AVEB L AVEC	X800 X400	17,5	11,0	18,0	5,6	12,0	6,0	D18
1,19	2,38	<b>D18.0012.238.18 VR</b>	A6J5	X800 X400	17,5	11,0	18,0	5,6	12,0	6,0	D18 <span style="float: right;">new inch</span>
1,5	3,0	<b>D18.0015.30.18 VR/L</b>	R AVEE L AVED	X800 X400	17,5	11,0	18,0	5,6	12,0	6,0	D18
1,6	3,2	<b>D18.0016.32.18 VR/L</b>	R AV6T L AV6S	X800 X400	17,5	11,0	18,0	5,6	12,0	6,0	D18
2,0	4,0	<b>D18.0020.40.18 VR/L</b>	R AV6U L AV6V	X800 X400	17,5	11,0	18,0	5,6	12,0	6,0	D18

Bestellbeispiel // Order example: **D16.0008.16 VR X800** (R = Rechte Ausführung // Right hand version, X800 = Schneidstoff // Grade)