

Nutenstechen

Für allgemeines Nutenstechen und für Sicherungsringnuten.
Geeignet ab Bohrungsdurchmesser 14,0 mm.

Grooving

For general grooving as well as for circlip ring grooving.
For use in bores as of minimum bore diameter 14,0 mm.

| | |
|--|-----------------------------|
| Schnittwerte (Start) // Cutting parameters (start) | |
| f 0,02 mm/U | Vc Seite/Page 429 |

| |
|--|
| Passende Klemmhalter auf Seite // Suitable toolholders on page 158, 161, 164 |
|--|

| |
|--|
| Vergleichbare Werkzeuge auf Seite // Similar tools on page 175 |
|--|

SP

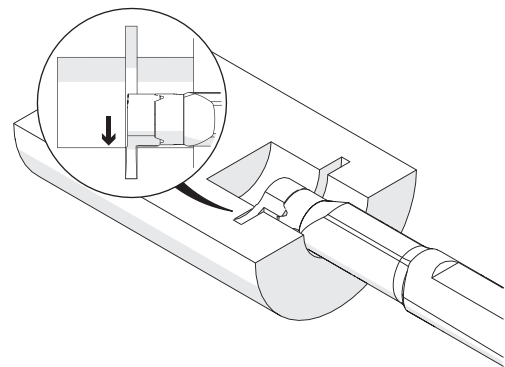
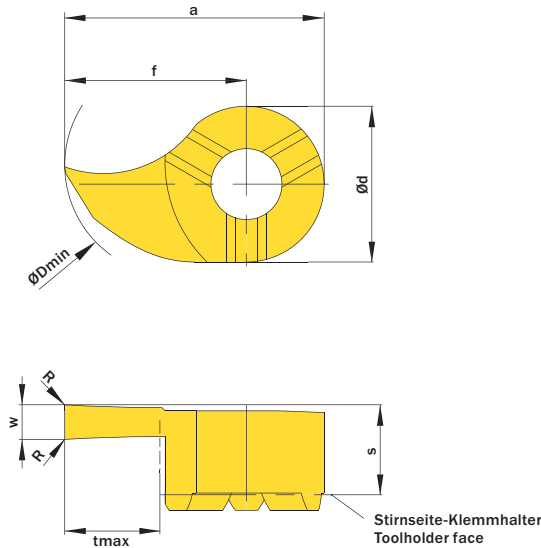
HM

R

Legende
Legend **213**

Scan
QR-Code

Oder besuchen Sie // Or Visit
www.simtek.info/cp/841



| w ^{+0,03} | Nutnenbreite Nominal width of groove | ØDmin (Min. Bohrung) ØDmin (min. bore) | Artikelnummer Part number | Webcode www.simtek.com/webcode | Unsere erste Wahl Our first choice | a | Ød | f | R | S | tmax | Connectcode www.simtek.com/code |
|--------------------|--|---|------------------------------|-----------------------------------|---------------------------------------|----|----|----|----|----|------|------------------------------------|
| mm | mm | mm | | | P K M N S | mm | mm | mm | mm | mm | mm | |

Fortgesetzte Tabelle // Continued Table
Verwandte Werkzeuge finden Sie auch auf der vorhergehenden Seite!
Related Items can be found on the previous page as well!

| | | | | | | | | | | | | |
|-------|-----|------|-------------------------|-------------------------|------|-----|-----|---|-----|-----|-----|------|
| 0,73 | 0,7 | 14,0 | D14.0070.00 ZR/L | R AB83 L AMAH X800 X400 | 13,5 | 9,0 | 9,0 | - | 5,2 | 1,2 | D14 | |
| 0,787 | - | 14,0 | D14.0078.00 ZR/L | R AFD3 L AJØC X800 X400 | 13,5 | 9,0 | 9,0 | - | 5,2 | 1,3 | D14 | inch |
| 0,83 | 0,8 | 14,0 | D14.0080.00 ZR/L | R AF8T L AMXS X800 X400 | 13,5 | 9,0 | 9,0 | - | 5,2 | 1,3 | D14 | |
| 0,86 | - | 14,0 | D14.0086.00 ZR/L | R AJV2 L ADKX X800 X400 | 13,5 | 9,0 | 9,0 | - | 5,2 | 1,5 | D14 | |
| 0,93 | 0,9 | 14,0 | D14.0090.00 ZR/L | R AEAM L ADZA X800 X400 | 13,5 | 9,0 | 9,0 | - | 5,2 | 1,5 | D14 | |
| 1,0 | - | 14,0 | D14.0100.00 ZR/L | R APFC L AMY9 X800 X400 | 13,5 | 9,0 | 9,0 | - | 5,2 | 4,0 | D14 | |
| 1,2 | 1,1 | 14,0 | D14.0110.00 GR/L | R AK84 L AM81 X800 X400 | 13,5 | 9,0 | 9,0 | - | 5,3 | 4,0 | D14 | |
| 1,4 | 1,3 | 14,0 | D14.0130.00 GR/L | R ADGC L AAFB X800 X400 | 13,5 | 9,0 | 9,0 | - | 5,3 | 4,0 | D14 | |
| 1,5 | - | 14,0 | D14.0150.00 GR/L | R AK6Q L AAJG X800 X400 | 13,5 | 9,0 | 9,0 | - | 5,3 | 4,0 | D14 | |
| 1,575 | - | 14,0 | D14.0157.00 GR/L | R ANYM L AFDN X800 X400 | 13,5 | 9,0 | 9,0 | - | 5,3 | 4,0 | D14 | inch |
| 1,7 | 1,6 | 14,0 | D14.0160.00 GR/L | R AJTA L AC77 X800 X400 | 13,5 | 9,0 | 9,0 | - | 5,3 | 4,0 | D14 | |
| 2,0 | - | 14,0 | D14.0200.00 GR/L | R AG8N L AMW3 X800 X400 | 13,5 | 9,0 | 9,0 | - | 5,3 | 4,0 | D14 | |
| 2,388 | - | 14,0 | D14.0238.00 GR/L | R ACPC L AB79 X800 X400 | 13,5 | 9,0 | 9,0 | - | 5,3 | 4,0 | D14 | inch |
| 2,5 | - | 14,0 | D14.0250.00 GR/L | R AHSS L AA56 X800 X400 | 13,5 | 9,0 | 9,0 | - | 5,3 | 4,0 | D14 | |
| 3,0 | - | 14,0 | D14.0300.00 GR/L | R AFFU L AHHA X800 X400 | 13,5 | 9,0 | 9,0 | - | 5,3 | 4,0 | D14 | |
| 3,175 | - | 14,0 | D14.0318.00 GR/L | R AKKN L APJD X800 X400 | 13,5 | 9,0 | 9,0 | - | 5,3 | 4,0 | D14 | inch |

Verwandte Werkzeuge finden Sie auch auf der folgenden Seite!
Related Items can be found on the following page as well!

Fortgesetzte Tabelle
Continued Table

Bestellbeispiel // Order example: **D14.0200.00 GR X800** (R = Rechte Ausführung // Right hand version, X800 = Schneidstoff // Grade)