

Klemmhalter, Innenbearbeitung

SIMTEK Trägerwerkzeug mit Polygonschaft nach ISO 26623 zum Drehen und Fräsen.

Toolholder, Internal Applications

SIMTEK toolholder with polygon shank according to ISO 26623 for turning and milling applications.

Anzugsmoment (Schraube) // Tightening torque (screw)

7,0 Nm

Bitte Hinweise im Anhang beachten // Please read add. notes

MASTER (Seite/Page 137)



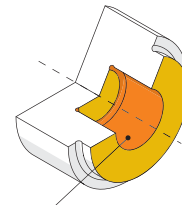
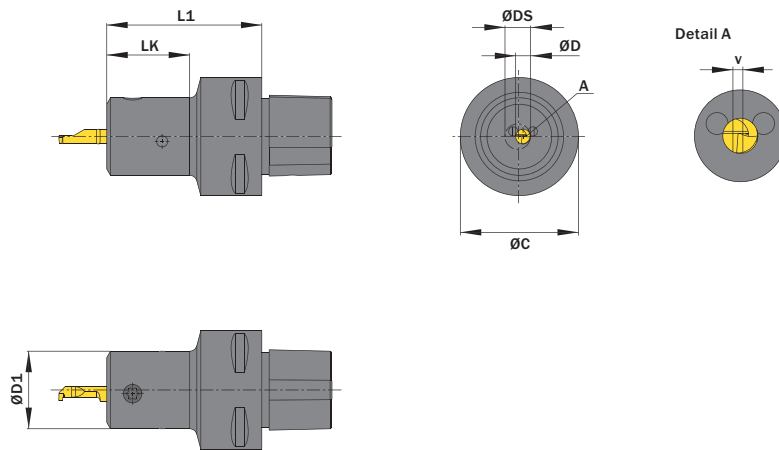
Legende
Legend

139



Scan
QR-Code

Oder besuchen Sie // Or Visit
www.simtek.info/cp/973



- Hauptsächlich geeignet für diese Flächen
Mainly designed for these surfaces
- Je nach Schneidplatte ebenfalls möglich
Also possible depending on insert type

Abbildung zeigt / Drawing shows: A04.00C3.05

| Polygonschaftgröße Polygon shank size | ØD | ØC | ØDS | Artikelnummer Part number | Webcode www.simtek.com/webcode | ØD1 | ØDmin (Min. Bohrung) ØDmin (min. bore) | L1 | LK | Maximale Frästiefe Max. depth of cut (milling) | V | Schraube Screw | Schraubenschlüssel Screw driver | Connectcode www.simtek.com/code |
|--|----|----|-----|------------------------------|-----------------------------------|-----|---|----|----|--|----|-------------------|------------------------------------|------------------------------------|
| | mm | mm | mm | | | mm | mm | mm | mm | mm | mm | | | |

Fortgesetzte Tabelle
Continued Table

Verwandte Werkzeuge finden Sie auch auf der vorhergehenden Seite!
Related items can be found on the previous page as well!

▼ ØD = 6,0 mm

| | | | | | | | | | | | | | | | |
|----|-----|------|-----|--------------------|------|------|------|------|------|------|------|-------------|------|-------------|-----|
| C3 | 6,0 | 32,0 | 7,9 | A06.00C3.08 | AHG5 | 23,0 | 8,4 | 42,0 | 22,0 | 0,65 | 1,0 | AM6x7,5T15F | T15F | A06.L A06.R | upd |
| C3 | 6,0 | 32,0 | 9,8 | A06.00C3.10 | ABBP | 23,5 | 10,3 | 42,0 | 22,0 | 1,6 | 1,95 | AM6x7,5T15F | T15F | A06.L A06.R | upd |
| C4 | 6,0 | 40,0 | 7,9 | A06.00C4.08 | AEU0 | 23,0 | 8,4 | 47,0 | 22,0 | 0,65 | 1,0 | AM6x7,5T15F | T15F | A06.L A06.R | upd |
| C4 | 6,0 | 40,0 | 9,8 | A06.00C4.10 | ADS1 | 23,5 | 10,3 | 47,0 | 22,0 | 1,6 | 1,95 | AM6x7,5T15F | T15F | A06.L A06.R | upd |
| C5 | 6,0 | 50,0 | 9,8 | A06.00C5.10 | AUFM | 23,5 | 10,3 | 49,0 | 22,0 | 1,6 | 1,95 | AM6x7,5T15F | T15F | A06.L A06.R | upd |
| C6 | 6,0 | 63,0 | 9,8 | A06.00C6.10 | AUFS | 23,5 | 10,3 | 95,0 | 22,0 | 1,6 | 1,95 | AM6x7,5T15F | T15F | A06.L A06.R | upd |

▼ ØD = 7,0 mm

| | | | | | | | | | | | | | | | |
|----|-----|------|------|--------------------|------|------|------|------|------|-----|-----|-------------|------|-------------|-----|
| C3 | 7,0 | 32,0 | 8,9 | A07.00C3.09 | AN85 | 24,0 | 9,4 | 42,0 | 22,0 | 0,6 | 1,0 | AM6x7,5T15F | T15F | A07.L A07.R | upd |
| C3 | 7,0 | 32,0 | 12,7 | A07.00C3.13 | AM7H | 25,0 | 13,2 | 42,0 | 22,0 | 2,5 | 2,9 | AM6x7,5T15F | T15F | A07.L A07.R | upd |
| C4 | 7,0 | 40,0 | 8,9 | A07.00C4.09 | AMBV | 24,0 | 9,4 | 47,0 | 22,0 | 0,6 | 1,0 | AM6x7,5T15F | T15F | A07.L A07.R | upd |
| C4 | 7,0 | 40,0 | 12,7 | A07.00C4.13 | AM83 | 25,0 | 13,2 | 47,0 | 22,0 | 2,5 | 2,9 | AM6x7,5T15F | T15F | A07.L A07.R | upd |
| C5 | 7,0 | 50,0 | 12,7 | A07.00C5.13 | AUFN | 25,0 | 13,2 | 49,0 | 22,0 | 2,5 | 2,9 | AM6x7,5T15F | T15F | A07.L A07.R | upd |
| C6 | 7,0 | 63,0 | 12,7 | A07.00C6.13 | AUFT | 25,0 | 13,2 | 95,0 | 22,0 | 2,5 | 2,9 | AM6x7,5T15F | T15F | A07.L A07.R | upd |

Bestellbeispiel // Order example: **A06.00C4.08**