

Klemmhalter, Innenbearbeitung, Rundschaft

Rundschaft mit innerer Kühlmittelzufuhr für die Größen A08 und A10.

Toolholder, Internal Applications, Round Shank

Round shank with through coolant for size A08 and A10.

Anzugsmoment (Schraube) // Tightening torque (screw)

7,0 Nm

Bitte Hinweise im Anhang beachten // Please read add. notes

MASTER (Seite/Page 137)



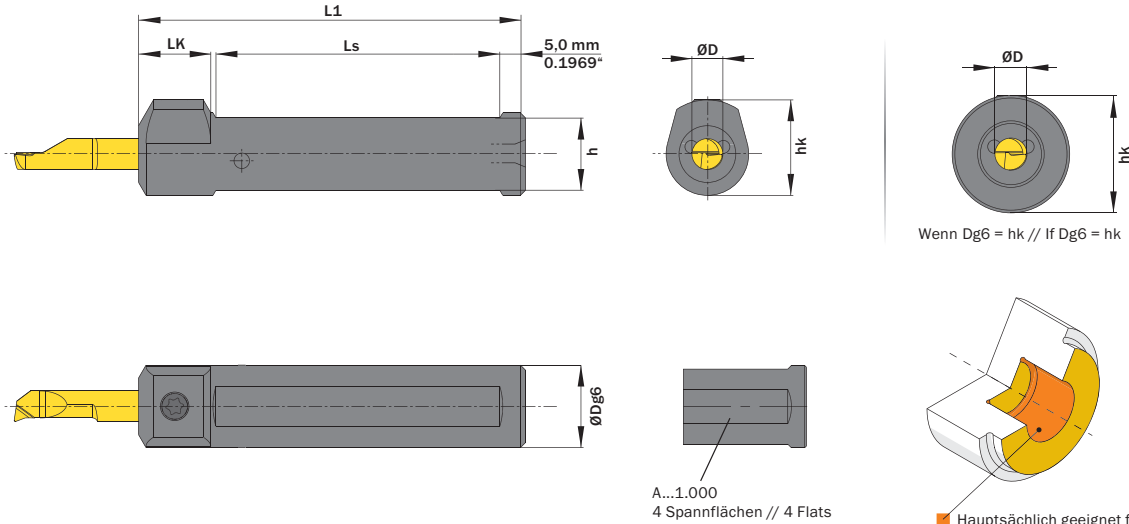
Legende
Legend

139

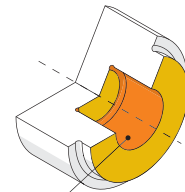


Scan
QR-Code

Oder besuchen Sie // Or Visit
www.simtek.info/cp/785



Wenn Dg6 = hk // If Dg6 = hk



- Hauptsächlich geeignet für diese Flächen
Mainly designed for these surfaces
- Je nach Schneidplatte ebenfalls möglich
Also possible depending on insert type

| ØD | ØDg6 | Artikelnummer Part number | Webcode www.simtek.com/webcode | h | hk | L1 | LK | Ls | Anzahl Spannflächen Number of flats | Schraube Screw | Schraubenschlüssel Screw driver | Connectcode www.simtek.com/code |
|----|------|------------------------------|-----------------------------------|----|----|----|----|----|--|-------------------|------------------------------------|------------------------------------|
| mm | mm | | | mm | mm | mm | mm | mm | | | | |

Fortgesetzte Tabelle
Continued Table

Verwandte Werkzeuge finden Sie auch auf der vorhergehenden Seite!
Related items can be found on the previous page as well!

| ▼ ØD = 8,0 mm | | | | | | | | | | | | | |
|----------------|--------|-----------|------|-------|-------|-------|------|------|---|--------------|------|------------|------|
| 8,0 | 15,875 | A08.0.625 | AHYF | 13,88 | 19,44 | 75,0 | 14,0 | 55,0 | 2 | AM6x7,5 T15F | T15F | A08 | Inch |
| 8,0 | 16,0 | A08.0016 | AAAV | 14,0 | 19,5 | 75,0 | 14,0 | 55,0 | 2 | AM6x7,5 T15F | T15F | A08 | |
| 8,0 | 19,05 | A08.0.750 | AAKN | 17,05 | 24,0 | 110,0 | 14,0 | 90,0 | 2 | AM6x7,5 T15F | T15F | A08 | Inch |
| 8,0 | 20,0 | A08.0020 | AD6N | 18,0 | 25,0 | 90,0 | 14,0 | 70,0 | 2 | AM6x7,5 T15F | T15F | A08 | |
| 8,0 | 25,0 | A08.0025 | AMAS | 23,0 | 25,0 | 110,0 | - | 90,0 | 2 | AM6x7,5 T15F | T15F | A08 | |
| 8,0 | 25,4 | A08.1.000 | AAQJ | 23,4 | 25,4 | 110,0 | - | 90,0 | 4 | AM6x7,5 T15F | T15F | A08 | Inch |
| ▼ ØD = 10,0 mm | | | | | | | | | | | | | |
| 10,0 | 19,05 | A10.0.750 | AEJ2 | 17,05 | 24,0 | 110,0 | 14,0 | 90,0 | 2 | AM6x7,5 T15F | T15F | A10L A10.R | Inch |
| 10,0 | 20,0 | A10.0020 | AGQZ | 18,0 | 25,0 | 90,0 | 14,0 | 70,0 | 2 | AM6x7,5 T15F | T15F | A10L A10.R | |
| 10,0 | 25,0 | A10.0025 | ABB8 | 23,0 | 25,0 | 110,0 | - | 90,0 | 2 | AM6x7,5 T15F | T15F | A10L A10.R | |
| 10,0 | 25,4 | A10.1.000 | AHAY | 23,4 | 25,4 | 110,0 | - | 90,0 | 4 | AM6x7,5 T15F | T15F | A10L A10.R | Inch |

Verwandte Werkzeuge finden Sie auch auf der folgenden Seite!
Related items can be found on the following page as well!

Fortgesetzte Tabelle
Continued Table

Bestellbeispiel // Order example: **A10.0020**