

# Nutenstechen

Geeignet ab Bohrungsdurchmesser 5,2 mm.

# Grooving

For use in bores as of minimum bore diameter 5,2 mm.

Schnittwerte (Start) // Cutting parameters (start)

|           |                |
|-----------|----------------|
| f         | Vc             |
| 0,02 mm/U | Seite/Page 429 |

Passende Klemmhalter auf Seite // Suitable toolholders on page

27, 31, 33, 35, 41, 44, 50, 51, 53, 55, 56, 57, 61, 62, 63, 65, 66, 67, 68, 69

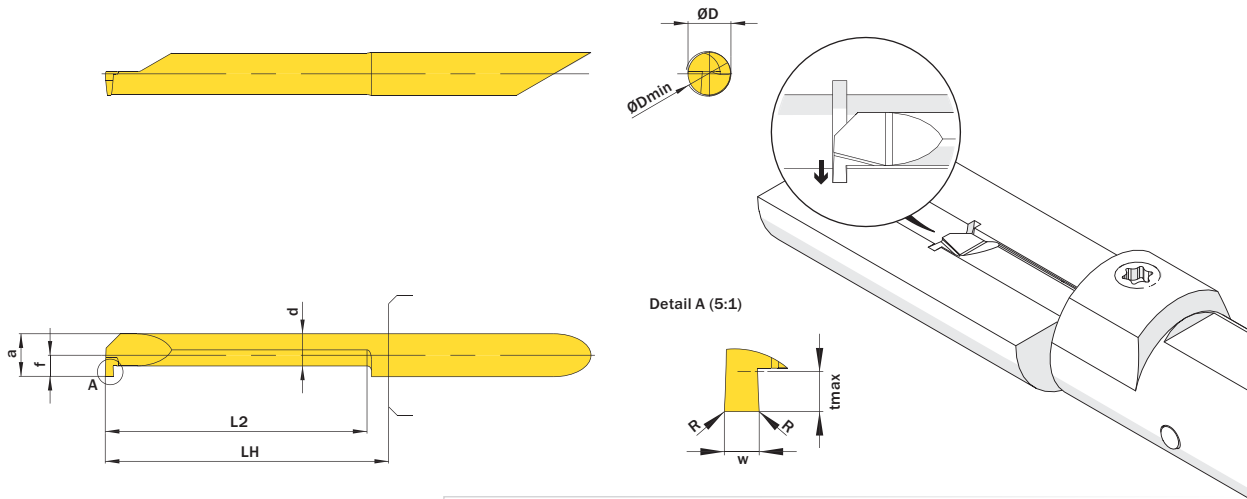
Vergleichbare Werkzeuge auf Seite // Similar tools on page

102



Legende  
Legend 139

Scan QR-Code Oder besuchen Sie // Or Visit  
www.simtek.info/cp/794



Mehr Informationen zur Kühlmittelzufuhr finden Sie auf Seite 22  
Additional information about through coolant supply on page 22

| ØD | w <sup>+0,03</sup> | L2 | ØDmin (Min. Bohrung)<br>ØDmin (min. bore) | Kühlmittelzufuhr<br>Through coolant supply | Artikelnummer<br>Part number | Webcode<br>www.simtek.com/webcode | Unsere erste Wahl<br>Our first choice | a  | d  | f  | LH | R  | tmax | Connectcode<br>www.simtek.com/code |
|----|--------------------|----|---|--|------------------------------|-----------------------------------|---------------------------------------|----|----|----|----|----|------|------------------------------------|
| mm | mm                 | mm | mm  |  |                              |                                   | P K M N S                             | mm | mm | mm | mm | mm | mm   |                                    |

Fortgesetzte Tabelle  
Continued Table

Verwandte Werkzeuge finden Sie auch auf der vorhergehenden Seite!  
Related Items can be found on the previous page as well!

| ▼ w = 0,787 mm |       |      |     |   |                     |               |           |      |      |      |      |   |     |                 |      |
|----------------|-------|------|-----|---|---------------------|---------------|-----------|------|------|------|------|---|-----|-----------------|------|
| 5,0            | 0,787 | 10,2 | 5,2 | + | A05.0078.10.52 GR/L | R AD73 L ADME | X800 X400 | 4,95 | 3,75 | 2,45 | 13,0 | - | 1,0 | R A05.R L A05.L | inch |
| 5,0            | 0,787 | 15,2 | 5,2 | + | A05.0078.15.52 GR/L | R AKYB L ANF8 | X800 X400 | 4,95 | 3,75 | 2,45 | 18,0 | - | 1,0 | R A05.R L A05.L | inch |
| 5,0            | 0,787 | 20,3 | 5,2 | + | A05.0078.20.52 GR/L | R ANXZ L AE12 | X800 X400 | 4,95 | 3,75 | 2,45 | 23,0 | - | 1,0 | R A05.R L A05.L | inch |
| 5,0            | 0,787 | 25,4 | 5,2 | + | A05.0078.25.52 GR/L | R AHZ2 L AG9U | X800 X400 | 4,95 | 3,75 | 2,45 | 28,0 | - | 1,0 | R A05.R L A05.L | inch |
| 5,0            | 0,787 | 30,5 | 5,2 | + | A05.0078.30.52 GR/L | R ADYH L AFFQ | X800 X400 | 4,95 | 3,75 | 2,45 | 33,0 | - | 1,0 | R A05.R L A05.L | inch |
| 5,0            | 0,787 | 35,6 | 5,2 | + | A05.0078.35.52 GR/L | R AGMP L ACT2 | X800 X400 | 4,95 | 3,75 | 2,45 | 38,0 | - | 1,0 | R A05.R L A05.L | inch |
| ▼ w = 1,0 mm   |       |      |     |   |                     |               |           |      |      |      |      |   |     |                 |      |
| 5,0            | 1,0   | 10,2 | 5,2 | + | A05.0100.10.52 GR/L | R AEBC L AFST | X800 X400 | 4,95 | 3,75 | 2,45 | 13,0 | - | 1,0 | R A05.R L A05.L |      |
| 5,0            | 1,0   | 15,2 | 5,2 | + | A05.0100.15.52 GR/L | R ADK5 L AA5P | X800 X400 | 4,95 | 3,75 | 2,45 | 18,0 | - | 1,0 | R A05.R L A05.L |      |
| 5,0            | 1,0   | 20,3 | 5,2 | + | A05.0100.20.52 GR/L | R AAXA L AH69 | X800 X400 | 4,95 | 3,75 | 2,45 | 23,0 | - | 1,0 | R A05.R L A05.L |      |
| 5,0            | 1,0   | 25,4 | 5,2 | + | A05.0100.25.52 GR/L | R AGA3 L ADBV | X800 X400 | 4,95 | 3,75 | 2,45 | 28,0 | - | 1,0 | R A05.R L A05.L |      |
| 5,0            | 1,0   | 30,5 | 5,2 | + | A05.0100.30.52 GR/L | R AKAP L AHB5 | X800 X400 | 4,95 | 3,75 | 2,45 | 33,0 | - | 1,0 | R A05.R L A05.L |      |
| 5,0            | 1,0   | 35,6 | 5,2 | + | A05.0100.35.52 GR/L | R ABCY L AMG6 | X800 X400 | 4,95 | 3,75 | 2,45 | 38,0 | - | 1,0 | R A05.R L A05.L |      |
| ▼ w = 1,168 mm |       |      |     |   |                     |               |           |      |      |      |      |   |     |                 |      |
| 5,0            | 1,168 | 10,2 | 5,2 | + | A05.0117.10.52 GR/L | R AGK0 L AFMN | X800 X400 | 4,95 | 3,75 | 2,45 | 13,0 | - | 1,0 | R A05.R L A05.L | inch |
| 5,0            | 1,168 | 15,2 | 5,2 | + | A05.0117.15.52 GR/L | R AKC3 L APGJ | X800 X400 | 4,95 | 3,75 | 2,45 | 18,0 | - | 1,0 | R A05.R L A05.L | inch |
| 5,0            | 1,168 | 20,3 | 5,2 | + | A05.0117.20.52 GR/L | R AF9G L AGZA | X800 X400 | 4,95 | 3,75 | 2,45 | 23,0 | - | 1,0 | R A05.R L A05.L | inch |
| 5,0            | 1,168 | 25,4 | 5,2 | + | A05.0117.25.52 GR/L | R AKW7 L AAG8 | X800 X400 | 4,95 | 3,75 | 2,45 | 28,0 | - | 1,0 | R A05.R L A05.L | inch |
| 5,0            | 1,168 | 30,5 | 5,2 | + | A05.0117.30.52 GR/L | R ACS4 L AHK1 | X800 X400 | 4,95 | 3,75 | 2,45 | 33,0 | - | 1,0 | R A05.R L A05.L | inch |
| 5,0            | 1,168 | 35,6 | 5,2 | + | A05.0117.35.52 GR/L | R AJH3 L ADG6 | X800 X400 | 4,95 | 3,75 | 2,45 | 38,0 | - | 1,0 | R A05.R L A05.L | inch |

Verwandte Werkzeuge finden Sie auch auf der folgenden Seite!  
Related Items can be found on the following page as well!

Fortgesetzte Tabelle  
Continued Table

Bestellbeispiel // Order example: A05.0100.15.52 GR X800 (R = Rechte Ausführung // Right hand version, X800 = Schneidstoff // Grade)