

Axialstechen in Bohrungen

Volle Stechtiefe ab Bohrungsdurchmesser 20,0 mm.
Reduzierte Stechtiefe bereits ab Bohrungsdurchmesser 12,0 mm.

Face Grooving in Bores

Full cutting depth as of minimum bore diameter 20,0 mm.
Reduced cutting depth possible as of minimum bore diameter 12,0 mm.

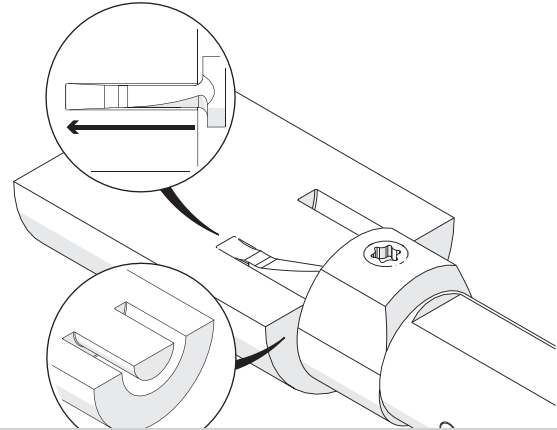
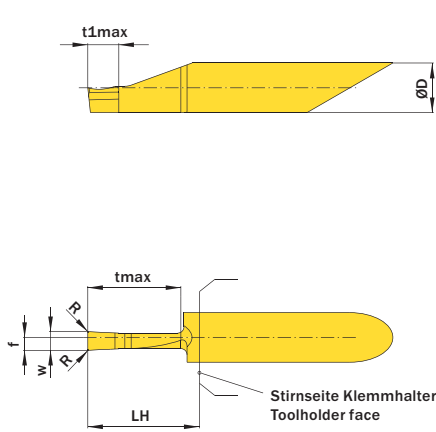
Schnittwerte (Start) // Cutting parameters (start)

| | |
|-----------|----------------|
| f | Vc |
| 0,02 mm/U | Seite/Page 429 |

Passende Klemmhalter auf Seite // Suitable toolholders on page
30, 39, 48, 52, 54, 59, 68



Legende Legend 139
Scan QR-Code Oder besuchen Sie // Or Visit
www.simtek.info/cp/762



Stechtiefe „tmax“ gilt ab Bohrungsdurchmesser gem. Angabe in Spalte „Ab Bohrungsdurchmesser“
Stechtiefe „t1max“ gilt ab Bohrungsdurchmesser gem. Angabe in Spalte „D1min“
Cutting depth „tmax“ is possible as of bore diameter as stated in column „As of bore diameter“
Cutting depth „t1max“ is possible as of bore diameter as stated in column „D1min“

Abbildung zeigt / Drawing shows: A08.0300.15.00 AG R



Mehr Informationen zur Kühlmittelzufuhr finden Sie auf Seite 22
Additional information about through coolant supply on page 22

| ØD | w ^{+0,05} | tmax | Kühlmittelzufuhr Through coolant supply | Artikelnummer Part number | Webcode www.simtek.com/webcode | Unsere erste Wahl Our first choice | ØDmin (Min. Bohrung) ØDmin (min. bore) | t1max | D1min | f | LH | R | Connectcode www.simtek.com/code |
|---------------------|--------------------|------|--|------------------------------|-----------------------------------|---------------------------------------|---|-------|-------|------|------|-----|------------------------------------|
| mm | mm | mm | | | | P K M N S | mm | mm | mm | mm | mm | mm | |
| ▼ w = 3,0 mm | | | | | | | | | | | | | |
| 10,0 | 3,0 | 20,0 | + | A10.0300.20.00 AG R/L | R AAUC L ABVX | X800 X400 | 20,0 | 5,0 | 12,0 | 2,07 | 28,0 | 0,2 | R A10.R L A10.L |
| 10,0 | 3,0 | 25,0 | + | A10.0300.25.00 AG R/L | R AENK L AEYQ | X800 X400 | 20,0 | 5,0 | 12,0 | 2,07 | 33,0 | 0,2 | R A10.R L A10.L |
| 10,0 | 3,0 | 30,0 | + | A10.0300.30.00 AG R/L | R AP2X L APZ8 | X800 X400 | 20,0 | 5,0 | 12,0 | 2,07 | 38,0 | 0,2 | R A10.R L A10.L |
| ▼ w = 4,0 mm | | | | | | | | | | | | | |
| 10,0 | 4,0 | 20,0 | + | A10.0400.20.00 AG R/L | R AMDH L AJPZ | X800 X400 | 20,0 | 5,0 | 12,0 | 2,65 | 28,0 | 0,2 | R A10.R L A10.L |
| 10,0 | 4,0 | 25,0 | + | A10.0400.25.00 AG R/L | R AMKB L AME8 | X800 X400 | 20,0 | 5,0 | 12,0 | 2,65 | 33,0 | 0,2 | R A10.R L A10.L |
| 10,0 | 4,0 | 30,0 | + | A10.0400.30.00 AG R/L | R AKHQ L AB12 | X800 X400 | 20,0 | 5,0 | 12,0 | 2,65 | 38,0 | 0,2 | R A10.R L A10.L |
| ▼ w = 5,0 mm | | | | | | | | | | | | | |
| 10,0 | 5,0 | 20,0 | + | A10.0500.20.00 AG R/L | R AKXP L AAXF | X800 X400 | 20,0 | 5,0 | 12,0 | 3,1 | 28,0 | 0,2 | R A10.R L A10.L |
| 10,0 | 5,0 | 25,0 | + | A10.0500.25.00 AG R/L | R AA6G L AH2U | X800 X400 | 20,0 | 5,0 | 12,0 | 3,1 | 33,0 | 0,2 | R A10.R L A10.L |
| 10,0 | 5,0 | 30,0 | + | A10.0500.30.00 AG R/L | R AFJH L AN46 | X800 X400 | 20,0 | 5,0 | 12,0 | 3,1 | 38,0 | 0,2 | R A10.R L A10.L |

Bestellbeispiel // Order example: A10.0300.20.00 AG R X800 (R = Rechte Ausführung // Right hand version, X800 = Schneidstoff // Grade)