

Axialstechen in Bohrungen

Geeignet ab Bohrungsdurchmesser 6,2 mm.

Face Grooving in Bores

For use in bores as of minimum bore diameter 6,2 mm.

Schnittwerte (Start) // Cutting parameters (start)

| | |
|------------------|-----------------------|
| f | Vc |
| 0,02 mm/U | Seite/Page 429 |

Passende Klemmhalter auf Seite // Suitable toolholders on page

28, 31, 36, 42, 45, 50, 51, 53, 55, 56, 58, 61, 62, 64, 65, 66, 67, 68, 69



SP
HM
R

Legende
Legend **139**

Scan
QR-Code

Oder besuchen Sie // Or Visit
www.simtek.info/cp/759

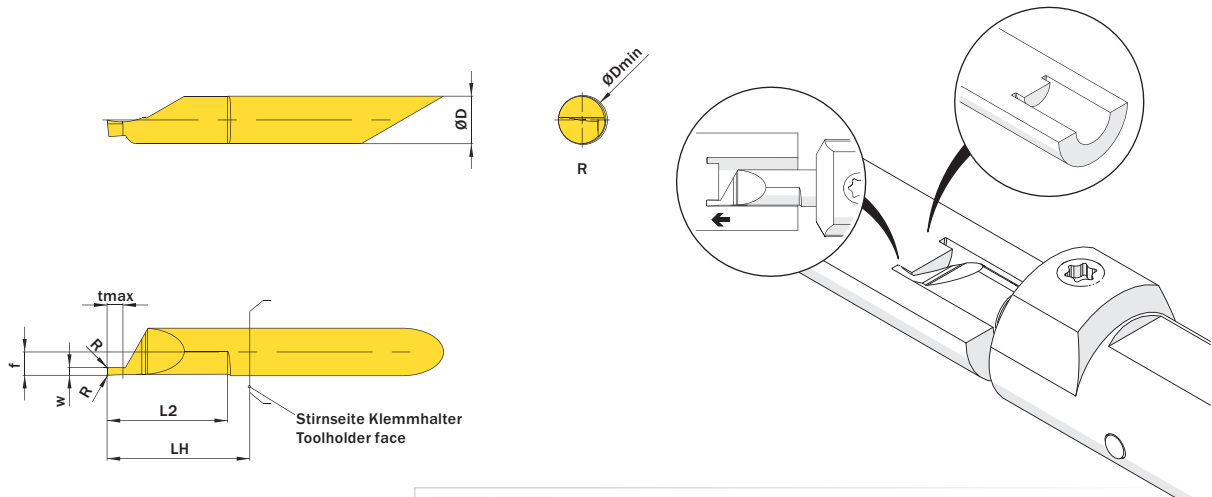
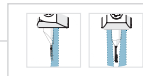


Abbildung zeigt / Drawing shows: A06.0100.15.01 AG R



Mehr Informationen zur Kühlmittelzufuhr finden Sie auf Seite 22
Additional information about through coolant supply on page 22

| ØD | w ^{+0,05} | L2 | Kühlmittelzufuhr Through coolant supply | Artikelnummer Part number | Webcode www.simtek.com/webcode | Unsere erste Wahl Our first choice | ØDmin (Min. Bohrung) ØDmin (min. bore) | f | LH | R | tmax | Connectcode www.simtek.com/code |
|----------------------|--------------------|------|--|---------------------------------|-----------------------------------|---------------------------------------|---|------|------|------|------|------------------------------------|
| mm | mm | mm | | | | P K M N S | mm | mm | mm | mm | mm | |
| ▼ R = 0,05 mm | | | | | | | | | | | | |
| 6,0 | 0,787 | 15,2 | + | A06.0078.15.01.05 AG R/L | R AYU8 L AYU9 | X800 X400 | 6,2 | 2,95 | 18,0 | 0,05 | 1,8 | R A06.R L A06.L Inch |
| 6,0 | 1,0 | 15,2 | + | A06.0100.15.01.05 AG R/L | R AYU7 L AYU1 | X800 X400 | 6,2 | 2,95 | 18,0 | 0,05 | 2,0 | R A06.R L A06.L |
| 6,0 | 1,5 | 15,2 | + | A06.0150.15.01.05 AG R/L | R AYVA L AYVB | X800 X400 | 6,2 | 2,95 | 18,0 | 0,05 | 3,0 | R A06.R L A06.L |
| ▼ R = 0,15 mm | | | | | | | | | | | | |
| 6,0 | 1,0 | 15,2 | + | A06.0100.15.01 AG R/L | R AB01 L AH2V | X800 X400 | 6,2 | 2,95 | 18,0 | 0,15 | 2,0 | R A06.R L A06.L |
| 6,0 | 1,168 | 15,2 | + | A06.0117.15.01 AG R/L | R ANY2 L AP1G | X800 X400 | 6,2 | 2,95 | 18,0 | 0,15 | 2,34 | R A06.R L A06.L Inch |
| 6,0 | 1,5 | 15,2 | + | A06.0150.15.01 AG R/L | R AMN7 L AHFP | X800 X400 | 6,2 | 2,95 | 18,0 | 0,15 | 3,0 | R A06.R L A06.L |
| 6,0 | 1,575 | 15,2 | + | A06.0157.15.01 AG R/L | R ANJ5 L AG36 | X800 X400 | 6,2 | 2,95 | 18,0 | 0,15 | 3,15 | R A06.R L A06.L Inch |
| 6,0 | 1,981 | 15,2 | + | A06.0198.15.01 AG R/L | R AEBQ L APCJ | X800 X400 | 6,2 | 2,95 | 18,0 | 0,15 | 3,95 | R A06.R L A06.L Inch |
| 6,0 | 2,0 | 15,2 | + | A06.0200.15.01 AG R/L | R AJ67 L AMKX | X800 X400 | 6,2 | 2,95 | 18,0 | 0,15 | 4,0 | R A06.R L A06.L |
| 6,0 | 2,388 | 15,2 | + | A06.0239.15.01 AG R/L | R AF9A L ACZ4 | X800 X400 | 6,2 | 2,95 | 18,0 | 0,15 | 5,0 | R A06.R L A06.L Inch |
| 6,0 | 2,5 | 15,2 | + | A06.0250.15.01 AG R/L | R AHG4 L AGS3 | X800 X400 | 6,2 | 2,95 | 18,0 | 0,15 | 5,0 | R A06.R L A06.L |
| 6,0 | 3,0 | 15,2 | + | A06.0300.15.01 AG R/L | R ABX0 L AGAS | X800 X400 | 6,2 | 2,95 | 18,0 | 0,15 | 6,0 | R A06.R L A06.L |
| 6,0 | 3,175 | 15,2 | + | A06.0318.15.01 AG R/L | R AM8N L AMGF | X800 X400 | 6,2 | 2,95 | 18,0 | 0,15 | 6,0 | R A06.R L A06.L Inch |

Bestellbeispiel // Order example: **A06.0100.15.01.05 AG R X800** (R = Rechte Ausführung // Right hand version, X800 = Schneidstoff // Grade)