

Fräsen von Scheibenfedernuten

Fräsen von Scheibenfedernuten (DIN6888).
Aufnahme nach DIN 6535 HA und DIN 1835 A.

Keyway milling

Keyway milling according to DIN6888.
Shank according to DIN 6535 HA and DIN 1835 A.

| Schnittwerte (Start) // Cutting parameters (Start) | | |
|--|------------------------|-----------------------------|
| fzm 0,02 mm | hmax 0,03 mm | Vc Seite/Page 638 |

Bitte Hinweise im Anhang beachten // Please read add. notes
ALL (Seite/Page 645)



SP Legende
HM Legend
650

Scan QR-Code Oder besuchen Sie // Or Visit
www.simtek.info/cp/304

Weldon-Aufnahme auf Anfrage erhältlich.
Weldon fixation available upon request.

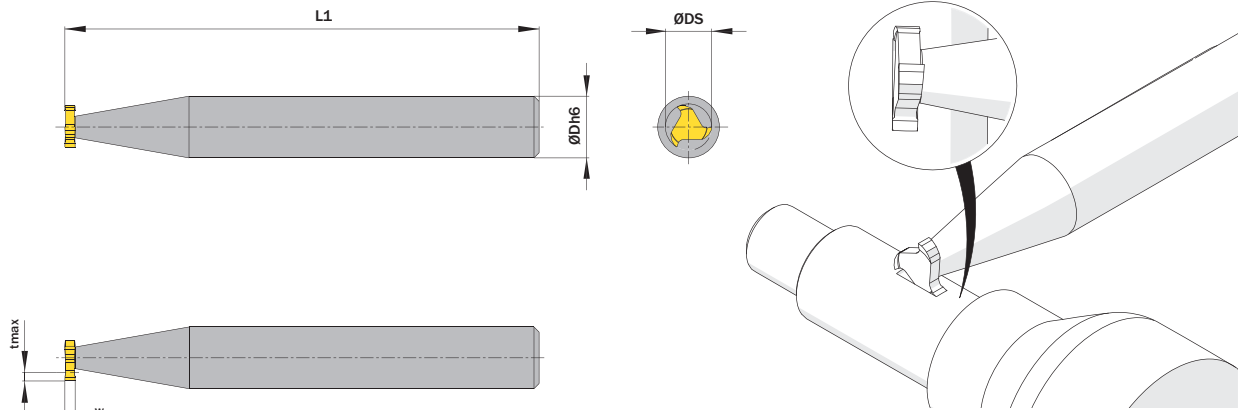


Illustration zeigt beispielhafte Anwendungsmöglichkeit mit ähnlichem Werkzeug.
Image shows exemplary application possibility with similar tool.

Abbildung zeigt / Drawing shows: MA3.100.09.06.00 AS

| w ^{e8} mm | ØDS mm | ØDh6 mm | Artikelnummer Part number | Webcode www.simtek.com/webcode | Unsere erste Wahl Our first choice | Anzahl Schneiden Number of cutting edges | L1 mm | tmax mm | Aufnahme nach Shank according to | Connectcode www.simtek.com/code |
|-----------------------|-------------|-------------|------------------------------|---|---------------------------------------|---|-------------|------------|-------------------------------------|---|
| ▼ ØDS = 4,5 mm | | | | | | | | | | |
| 1,0 | 4,5 | 6,0 | MA3.100.04.06.00 AS | AKØY | X800 GT42 | 3 | 50,0 | 1,0 | DIN 6535 HA | - |
| ▼ ØDS = 7,5 mm | | | | | | | | | | |
| 1,5 | 7,5 | 8,0 | MA3.150.07.08.00 AS | ANPA | X800 GT42 | 3 | 50,0 | 2,0 | DIN 6535 HA | - |
| 2,0 | 7,5 | 8,0 | MA3.200.07.08.00 AS | AK6Z | X800 GT42 | 3 | 50,0 | 1,8 | DIN 6535 HA | - |
| ▼ ØDS = 10,5 mm | | | | | | | | | | |
| 2,0 | 10,5 | 12,0 | MA3.200.10.12.00 AS | AEH6 | X800 GT42 | 3 | 60,0 | 2,9 | DIN 6535 HA | - |
| 2,5 | 10,5 | 12,0 | MA3.250.10.12.00 AS | ACMK | X800 GT42 | 3 | 60,0 | 2,9 | DIN 6535 HA | - |
| 3,0 | 10,5 | 12,0 | MA3.300.10.12.00 AS | AM42 | X800 GT42 | 3 | 60,0 | 2,5 | DIN 6535 HA | - |
| ▼ ØDS = 13,5 mm | | | | | | | | | | |
| 3,0 | 13,5 | 16,0 | MA3.300.13.16.00 AS | AF2J | X800 GT42 | 3 | 70,0 | 3,8 | DIN 1835 A | - |
| 4,0 | 13,5 | 16,0 | MA3.400.13.16.00 AS | AEØ1 | X800 GT42 | 3 | 70,0 | 3,5 | DIN 1835 A | - |
| ▼ ØDS = 16,5 mm | | | | | | | | | | |
| 3,0 | 16,5 | 16,0 | MA3.300.16.16.00 AS | ADT5 | X800 GT42 | 3 | 70,0 | 5,3 | DIN 1835 A | - |
| 4,0 | 16,5 | 16,0 | MA3.400.16.16.00 AS | AJXW | X800 GT42 | 3 | 70,0 | 5,0 | DIN 1835 A | - |
| 5,0 | 16,5 | 16,0 | MA3.500.16.16.00 AS | AGA J | X800 GT42 | 3 | 70,0 | 4,5 | DIN 1835 A | - |
| ▼ ØDS = 19,5 mm | | | | | | | | | | |
| 4,0 | 19,5 | 16,0 | MA3.400.19.16.00 AS | ANKE | X800 GT42 | 3 | 70,0 | 6,0 | DIN 1835 A | - |
| 5,0 | 19,5 | 16,0 | MA3.500.19.16.00 AS | AMØX | X800 GT42 | 3 | 70,0 | 5,5 | DIN 1835 A | - |
| 6,0 | 19,5 | 16,0 | MA3.600.19.16.00 AS | ABS9 | X800 GT42 | 3 | 70,0 | 5,1 | DIN 1835 A | - |
| ▼ ØDS = 22,5 mm | | | | | | | | | | |
| 5,0 | 22,5 | 16,0 | MA3.500.22.16.00 AS | ANVG | X800 GT42 | 3 | 70,0 | 7,0 | DIN 1835 A | - |
| 6,0 | 22,5 | 16,0 | MA3.600.22.16.00 AS | AHC5 | X800 GT42 | 3 | 70,0 | 6,6 | DIN 1835 A | - |
| 8,0 | 22,5 | 16,0 | MA3.800.22.16.00 AS | ADG7 | X800 GT42 | 3 | 70,0 | 6,2 | DIN 1835 A | - |
| ▼ ØDS = 25,5 mm | | | | | | | | | | |
| 6,0 | 25,5 | 16,0 | MA3.600.25.16.00 AS | AH8A | X800 GT42 | 3 | 70,0 | 7,6 | DIN 1835 A | - |

Bestellbeispiel // Order example: **MA3.150.07.08.00 AS X800** (X800 = Schneidstoff // Grade)

simmill AX

simmill PMX

simmill PX

simmill SX

simmill UX

simmill VX

simmill H2

simmill K2

simmill MX

simmill OS

Index