

Nutenstechen

Geeignet ab Bohrungsdurchmesser 5,2 mm.

Grooving

For use in bores as of minimum bore diameter 5,2 mm.

Schnittwerte (Start) // Cutting parameters (start)

| | |
|-----------|----------------|
| f | Vc |
| 0,02 mm/U | Seite/Page 429 |

Passende Klemmhalter auf Seite // Suitable toolholders on page

27, 31, 33, 35, 41, 44, 50, 51, 53, 55, 56, 57, 61, 62, 63, 65, 66, 67, 68, 69

Vergleichbare Werkzeuge auf Seite // Similar tools on page

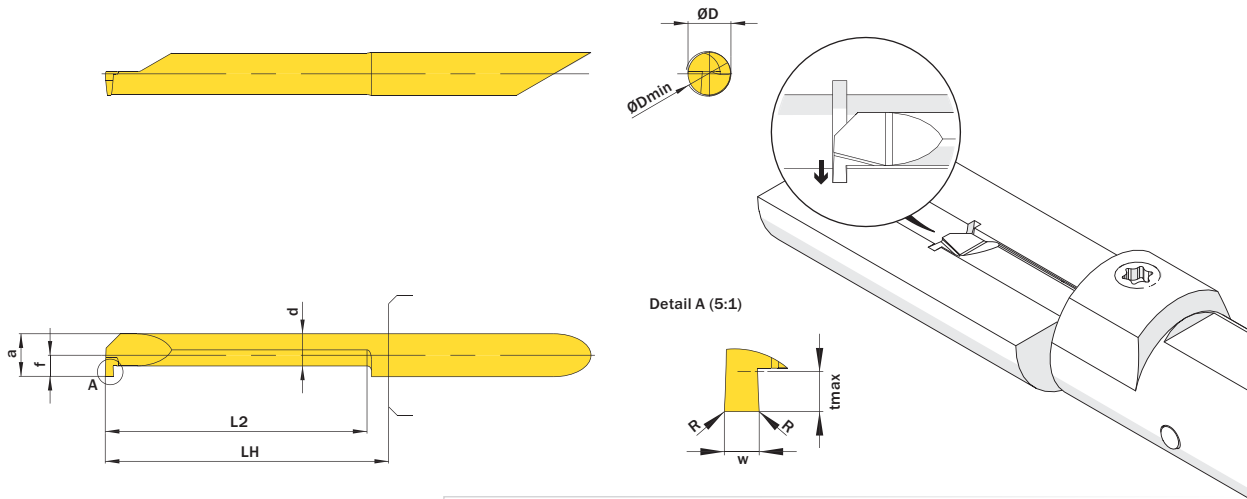
102



SP
HM
R

Legende
Legend 139

Scan QR-Code Oder besuchen Sie // Or Visit
www.simtek.info/cp/795



Mehr Informationen zur Kühlmittelzufuhr finden Sie auf Seite 22
Additional information about through coolant supply on page 22

| ØD | w ^{+0,03} | L2 | ØDmin (Min. Bohrung) ØDmin (min. bore) | Kühlmittelzufuhr Through coolant supply | Artikelnummer Part number | Webcode www.simtek.com/webcode | Unsere erste Wahl Our first choice | a | d | f | LH | R | tmax | Connectcode www.simtek.com/code |
|----|--------------------|----|---|--|------------------------------|-----------------------------------|---------------------------------------|----|----|----|----|----|------|------------------------------------|
| mm | mm | mm | mm | | | | P K M N S | mm | mm | mm | mm | mm | mm | |

Fortgesetzte Tabelle
Continued Table

Verwandte Werkzeuge finden Sie auch auf der vorhergehenden Seite!
Related Items can be found on the previous page as well!

| | | | | | | | | | | | | | | |
|-----------------------|-------|------|-----|---|----------------------|---------------|-----------|------|------|------|------|-----|-----|-------------------------------------|
| ▼ w = 1,5 mm | | | | | | | | | | | | | | |
| 5,0 | 1,5 | 10,2 | 5,2 | + | A05.0150.10.52 GR/L | R AG38 L AF9C | X800 X400 | 4,95 | 3,75 | 2,45 | 13,0 | - | 1,0 | R A05.R L A05.L |
| 5,0 | 1,5 | 15,2 | 5,2 | + | A05.0150.15.52 GR/L | R ANY8 L AFUK | X800 X400 | 4,95 | 3,75 | 2,45 | 18,0 | - | 1,0 | R A05.R L A05.L |
| 5,0 | 1,5 | 20,3 | 5,2 | + | A05.0150.20.52 GR/L | R AH57 L AJ8D | X800 X400 | 4,95 | 3,75 | 2,45 | 23,0 | - | 1,0 | R A05.R L A05.L |
| 5,0 | 1,5 | 25,4 | 5,2 | + | A05.0150.25.52 GR/L | R AAKF L AFY2 | X800 X400 | 4,95 | 3,75 | 2,45 | 28,0 | - | 1,0 | R A05.R L A05.L |
| 5,0 | 1,5 | 30,5 | 5,2 | + | A05.0150.30.52 GR/L | R APVS L ADUG | X800 X400 | 4,95 | 3,75 | 2,45 | 33,0 | - | 1,0 | R A05.R L A05.L |
| 5,0 | 1,5 | 35,6 | 5,2 | + | A05.0150.35.52 GR/L | R AKFJ L AB89 | X800 X400 | 4,95 | 3,75 | 2,45 | 38,0 | - | 1,0 | R A05.R L A05.L |
| ▼ w = 1,575 mm | | | | | | | | | | | | | | |
| 5,0 | 1,575 | 10,2 | 5,2 | + | A05.0157.10.52 GR/L | R APCY L APG8 | X800 X400 | 4,95 | 3,75 | 2,45 | 13,0 | - | 1,0 | R A05.R L A05.L <small>inch</small> |
| 5,0 | 1,575 | 15,2 | 5,2 | + | A05.0157.15.52 GR/L | R AMD4 L AHMW | X800 X400 | 4,95 | 3,75 | 2,45 | 18,0 | - | 1,0 | R A05.R L A05.L <small>inch</small> |
| 5,0 | 1,575 | 20,3 | 5,2 | + | A05.0157.20.52 GR/L | R AE6P L APUC | X800 X400 | 4,95 | 3,75 | 2,45 | 23,0 | - | 1,0 | R A05.R L A05.L <small>inch</small> |
| 5,0 | 1,575 | 25,4 | 5,2 | + | A05.0157.25.52 GR/L | R AFY0 L AHMY | X800 X400 | 4,95 | 3,75 | 2,45 | 28,0 | - | 1,0 | R A05.R L A05.L <small>inch</small> |
| 5,0 | 1,575 | 30,5 | 5,2 | + | A05.0157.30.52 GR/L | R AJ06 L AFPD | X800 X400 | 4,95 | 3,75 | 2,45 | 33,0 | - | 1,0 | R A05.R L A05.L <small>inch</small> |
| ▼ w = 1,981 mm | | | | | | | | | | | | | | |
| 5,0 | 1,981 | 10,2 | 5,2 | + | A05.0198.10.52 GR/L | R AJ4G L AGND | X800 X400 | 4,95 | 3,75 | 2,45 | 13,0 | - | 1,0 | R A05.R L A05.L <small>inch</small> |
| 5,0 | 1,981 | 15,2 | 5,2 | + | A05.0198.15.52 GR/L | R ABHH L ANBC | X800 X400 | 4,95 | 3,75 | 2,45 | 18,0 | - | 1,0 | R A05.R L A05.L <small>inch</small> |
| 5,0 | 1,981 | 20,3 | 5,2 | + | A05.0198.20.52 GR/L | R ACFG L AEM3 | X800 X400 | 4,95 | 3,75 | 2,45 | 23,0 | - | 1,0 | R A05.R L A05.L <small>inch</small> |
| 5,0 | 1,981 | 25,4 | 5,2 | + | A05.0198.25.52 GR/L | R ABS3 L AJZV | X800 X400 | 4,95 | 3,75 | 2,45 | 28,0 | - | 1,0 | R A05.R L A05.L <small>inch</small> |
| 5,0 | 1,981 | 30,5 | 5,2 | + | A05.0198.30.52 GR/L | R AJNV L ABNQ | X800 X400 | 4,95 | 3,75 | 2,45 | 33,0 | - | 1,0 | R A05.R L A05.L <small>inch</small> |
| 5,0 | 1,981 | 30,5 | 5,2 | + | A05.0198.30.52.10 GR | A6FB | X800 X400 | 4,95 | 3,75 | 2,45 | 33,0 | 0,1 | 1,0 | A05.R <small>new inch</small> |

Verwandte Werkzeuge finden Sie auch auf der folgenden Seite!
Related Items can be found on the following page as well!

Fortgesetzte Tabelle
Continued Table

Bestellbeispiel // Order example: **A05.0157.20.52 GR X800** (R = Rechte Ausführung // Right hand version, X800 = Schneidstoff // Grade)