

# Stechdrehen, Sicherungsringnuten

Sicherungsringnuten vgl. DIN 471/472 sowie DIN 983/984.

## Grooving, circlip ring grooves

Circlip ring grooves comp. to DIN 471/472 and DIN 983/984.

| Schnittwerte (Start) // Cutting parameters (start) |                              |                      |
|--|------------------------------|----------------------|
| f (außen//ext.)<br>0,04 mm/U                       | f (innen//int.)<br>0,03 mm/U | Vc<br>Seite/Page 429 |

Passende Klemmhalter auf Seite // Suitable toolholders on page  
**323, 324, 325, 326, 327, 328**

SP

HM

R

Legende  
Legend **354**

Scan  
QR-Code

Oder besuchen Sie // Or Visit  
[www.simtek.info/cp/308](http://www.simtek.info/cp/308)

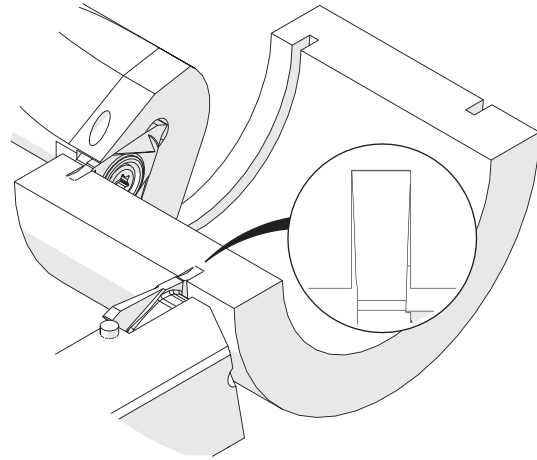
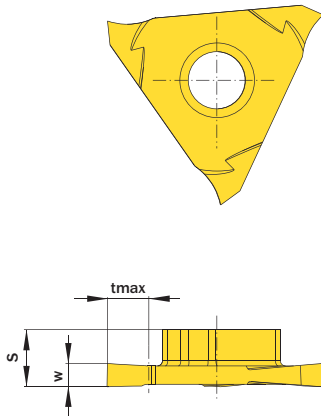


Abbildung zeigt / Drawing shows: TE3.0215.00 GR

| Nennbreite<br>Nominal width of<br>groove | w <sup>+0,03</sup><br>mm | Artikelnummer<br>Part number | Webcode<br>www.simtek.com/webcode | Unsere erste Wahl<br>Our first choice |      |   |   | S<br>mm | tmax<br>mm | Connectcode<br>www.simtek.com/code   |
|--|--------------------------|------------------------------|-----------------------------------|---------------------------------------|------|---|---|---------|------------|--|
|  |                          |                              |                                   | P                                     | K    | M | S |         |            |  |
| 0,5                                      | 0,53                     | TE3.0050.00 G R/L            | R AH0J L AF84                     | X800                                  | X400 |   |   | 5,45    | 1,43       | R TE3.R.5.3 L TE3.L.5.3  |
| 0,6                                      | 0,63                     | TE3.0060.00 G R/L            | R ADA6 L ADCK                     | X800                                  | X400 |   |   | 5,45    | 1,68       | R TE3.R.5.3 L TE3.L.5.3  |
| 0,7                                      | 0,73                     | TE3.0070.00 G R/L            | R AJ4V L AAUT                     | X800                                  | X400 |   |   | 5,45    | 1,93       | R TE3.R.5.3 L TE3.L.5.3  |
| 0,8                                      | 0,83                     | TE3.0080.00 G R/L            | R APHD L ADJM                     | X800                                  | X400 |   |   | 5,45    | 2,18       | R TE3.R.5.3 L TE3.L.5.3  |
| 0,9                                      | 0,93                     | TE3.0090.00 G R/L            | R AGBW L ANNB                     | X800                                  | X400 |   |   | 5,45    | 2,43       | R TE3.R.5.3 L TE3.L.5.3  |
| 1,0                                      | 1,03                     | TE3.0100.00 G R/L            | R AFBT L AKEK                     | X800                                  | X400 |   |   | 5,45    | 2,68       | R TE3.R.5.3 L TE3.L.5.3  |
| 1,1                                      | 1,2                      | TE3.0110.00 G R/L            | R AP21 L AJJB                     | X800                                  | X400 |   |   | 5,6     | 5,0        | R TE3.R.5.3 L TE3.L.5.3  |
| 1,1                                      | 1,2                      | TE3.0110.31 G R/L            | R AQBUL AQBS                      | X800                                  | X400 |   |   | 5,6     | 3,1        | R TE3.R.5.3 L TE3.L.5.3  |
| 1,17                                     | 1,31                     | TE3.0117.00 GR               | A4XX                              | X800                                  | X400 |   |   | 5,6     | 5,0        | TE3.R.5.3 <span style="font-size: 8px; border: 1px solid black; padding: 1px;">NEW<br/>inch</span> |
| 1,3                                      | 1,4                      | TE3.0130.00 G R/L            | R AHV0 L AD91                     | X800                                  | X400 |   |   | 5,6     | 5,0        | R TE3.R.5.3 L TE3.L.5.3  |
| 1,6                                      | 1,7                      | TE3.0160.00 G R/L            | R AD0B L AH1Z                     | X800                                  | X400 |   |   | 5,6     | 5,0        | R TE3.R.5.3 L TE3.L.5.3  |
| 1,85                                     | 1,95                     | TE3.0185.00 G R/L            | R APGF L AMV5                     | X800                                  | X400 |   |   | 5,6     | 5,0        | R TE3.R.5.3 L TE3.L.5.3  |
| 2,15                                     | 2,25                     | TE3.0215.00 G R/L            | R AB92 L AKUE                     | X800                                  | X400 |   |   | 5,6     | 5,0        | R TE3.R.5.3 L TE3.L.5.3  |
| 2,65                                     | 2,75                     | TE3.0265.00 G R/L            | R AKW4 L ABJZ                     | X800                                  | X400 |   |   | 5,6     | 5,0        | R TE3.R.5.3 L TE3.L.5.3  |
| 3,15                                     | 3,25                     | TE3.0315.00 G R/L            | R AJQN L AHE6                     | X800                                  | X400 |   |   | 5,6     | 5,0        | R TE3.R.5.3 L TE3.L.5.3  |
| 4,15                                     | 4,25                     | TE3.0415.00 G R/L            | R AFAK L AE23                     | X800                                  | X400 |   |   | 5,6     | 5,0        | R TE3.R.5.3 L TE3.L.5.3  |
| 5,15                                     | 5,25                     | TE3.0515.00 G R/L            | R AE14 L AF57                     | X800                                  | X400 |   |   | 5,6     | 5,0        | R TE3.R.5.3 L TE3.L.5.3  |

Bestellbeispiel // Order example: **TE3.0130.00 G R X800** (R = Rechte Ausführung // Right hand version, X800 = Schneidstoff // Grade)



TE3. w, 1/100 mm, 4 Stellen/Digits . R, 1/100 mm, 3 Stellen/Digits Toleranz // Tolerance R/L  
Beispielartikelnummer // Example Part number: **TE3.0156.015 XN R** oder/ or **TE3.0156.015 XN L**

simturn AX  
simturn DX  
simturn PX  
simturn H2  
simturn K2  
simturn C4  
simturn GX  
simturn E3  
simturn E12  
simturn FX  
simturn Decolletage  
simturn OA  
Index