

Stechdrehen, Sicherungsringnuten

Sicherungsringnuten vgl. DIN 471/472 sowie DIN 983/984.

Grooving, circlip ring grooves

Circlip ring grooves comp. to DIN 471/472 and DIN 983/984.

| Schnittwerte (Start) // Cutting parameters (start) | | |
|--|------------------------------|----------------------|
| f (außen//ext.) 0,04 mm/U | f (innen//int.) 0,03 mm/U | Vc Seite/Page 429 |

Passende Klemmhalter auf Seite // Suitable toolholders on page
323, 324, 325, 326, 327, 328

SP
HM
R

Legende
Legend **354**

Scan
QR-Code

Oder besuchen Sie // Or Visit
www.simtek.info/cp/308

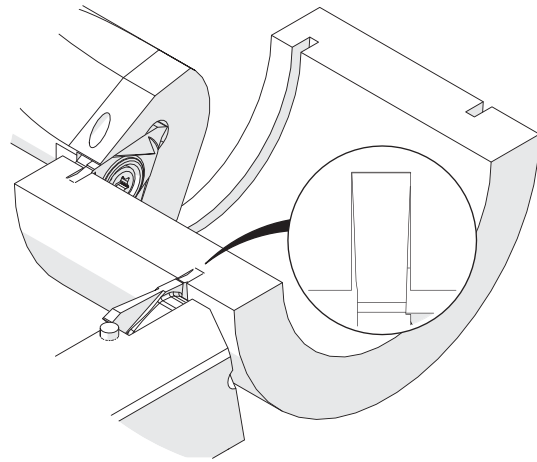
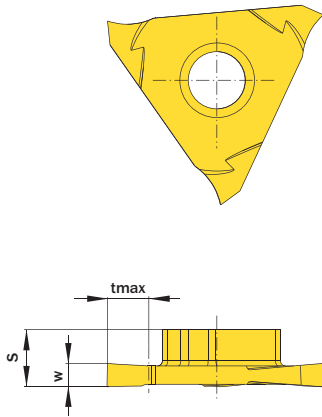


Abbildung zeigt / Drawing shows: TE3.0215.00 GR

| Nennbreite Nominal width of groove | w ^{+0,03} mm | Artikelnummer Part number | Webcode www.simtek.com/webcode | Unsere erste Wahl Our first choice | | | | S mm | tmax mm | Connectcode www.simtek.com/code |
|--|--------------------------|------------------------------|-----------------------------------|---------------------------------------|------|---|---|---------|------------|------------------------------------|
| | | | | P | K | M | S | | | |
| 0,5 | 0,53 | TE3.0050.00 G R/L | RAH0J L AF84 | X808 | X408 | | | 5,45 | 1,43 | R TE3.R.5.3 L TE3.L.5.3 |
| 0,6 | 0,63 | TE3.0060.00 G R/L | RAA6 L ADCK | X808 | X408 | | | 5,45 | 1,68 | R TE3.R.5.3 L TE3.L.5.3 |
| 0,7 | 0,73 | TE3.0070.00 G R/L | RAJ4V L AAUT | X808 | X408 | | | 5,45 | 1,93 | R TE3.R.5.3 L TE3.L.5.3 |
| 0,8 | 0,83 | TE3.0080.00 G R/L | RAPHD L ADJM | X808 | X408 | | | 5,45 | 2,18 | R TE3.R.5.3 L TE3.L.5.3 |
| 0,9 | 0,93 | TE3.0090.00 G R/L | RAGBW L ANNB | X808 | X408 | | | 5,45 | 2,43 | R TE3.R.5.3 L TE3.L.5.3 |
| 1,0 | 1,03 | TE3.0100.00 G R/L | RAFBT L AKEK | X808 | X408 | | | 5,45 | 2,68 | R TE3.R.5.3 L TE3.L.5.3 |
| 1,1 | 1,2 | TE3.0110.00 G R/L | RAJ21 L AJJB | X800 | X400 | | | 5,6 | 5,0 | R TE3.R.5.3 L TE3.L.5.3 |
| 1,1 | 1,2 | TE3.0110.31 G R/L | RAQBU L AQBS | X800 | X400 | | | 5,6 | 3,1 | R TE3.R.5.3 L TE3.L.5.3 |
| 1,17 | 1,31 | TE3.0117.00 GR | A4XX | X800 | X400 | | | 5,6 | 5,0 | TE3.R.5.3 <small>NEW inch</small> |
| 1,3 | 1,4 | TE3.0130.00 G R/L | RAHV0 L AD91 | X800 | X400 | | | 5,6 | 5,0 | R TE3.R.5.3 L TE3.L.5.3 |
| 1,6 | 1,7 | TE3.0160.00 G R/L | RAAD0B L AH1Z | X800 | X400 | | | 5,6 | 5,0 | R TE3.R.5.3 L TE3.L.5.3 |
| 1,85 | 1,95 | TE3.0185.00 G R/L | RAPGF L AMV5 | X800 | X400 | | | 5,6 | 5,0 | R TE3.R.5.3 L TE3.L.5.3 |
| 2,15 | 2,25 | TE3.0215.00 G R/L | RAAB92 L AKUE | X800 | X400 | | | 5,6 | 5,0 | R TE3.R.5.3 L TE3.L.5.3 |
| 2,65 | 2,75 | TE3.0265.00 G R/L | RAKW4 L ABJZ | X800 | X400 | | | 5,6 | 5,0 | R TE3.R.5.3 L TE3.L.5.3 |
| 3,15 | 3,25 | TE3.0315.00 G R/L | RAJQN L AHE6 | X800 | X400 | | | 5,6 | 5,0 | R TE3.R.5.3 L TE3.L.5.3 |
| 4,15 | 4,25 | TE3.0415.00 G R/L | RAFAK L AE23 | X800 | X400 | | | 5,6 | 5,0 | R TE3.R.5.3 L TE3.L.5.3 |
| 5,15 | 5,25 | TE3.0515.00 G R/L | RAE14 L AF57 | X800 | X400 | | | 5,6 | 5,0 | R TE3.R.5.3 L TE3.L.5.3 |

Bestellbeispiel // Order example: **TE3.0130.00 G R X800** (R = Rechte Ausführung // Right hand version, X800 = Schneidstoff // Grade)



TE3. w, 1/100 mm, 4 Stellen/Digits . R, 1/100 mm, 3 Stellen/Digits Toleranz // Tolerance R/L
Beispielartikelnummer // Example Part number: **TE3.0156.015 XN R** oder/ or **TE3.0156.015 XN L**

simturn AX
simturn DX
simturn PX
simturn H2
simturn K2
simturn C4
simturn GX
simturn E3
simturn E12
simturn FX
simturn Decolletage
simturn OA
Index