

## Einstecken und Profildrehen, Vollradius

Vollradiusnuten, CNC-Konturdrehen.

## Grooving and Profiling, Full Radius

Full radius, CNC profiling.

Schnittwerte (Start) // Cutting parameters (start)

|                                     |                                     |                             |
|-------------------------------------|-------------------------------------|-----------------------------|
| f (außen//ext.)<br><b>0,04 mm/U</b> | f (innen//int.)<br><b>0,03 mm/U</b> | Vc<br><b>Seite/Page 429</b> |
|-------------------------------------|-------------------------------------|-----------------------------|

Passende Klemmhalter auf Seite // Suitable toolholders on page  
**323, 324, 325, 326, 327, 328**



**SP** **HM** **R** Legende Legend **354**

Scan QR-Code Oder besuchen Sie // Or Visit [www.simtek.info/cp/310](http://www.simtek.info/cp/310)

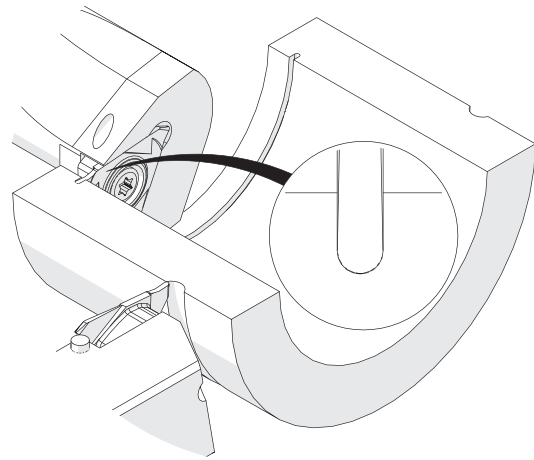
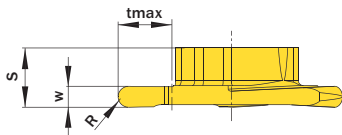
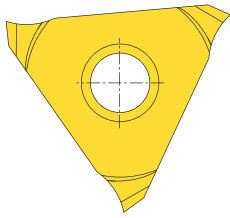


Abbildung zeigt / Drawing shows: TE3.0200.10 VR

| w <sup>+0,04</sup><br>mm | R<br>mm | Artikelnummer<br>Part number | Webcode<br>www.simtek.com/webcode | Unsere erste Wahl<br>Our first choice |      |   |      | S<br>mm | tmax<br>mm | Connectcode<br>www.simtek.com/code |   |            |
|--------------------------|---------|------------------------------|-----------------------------------|---------------------------------------|------|---|------|---------|------------|------------------------------------|---|------------|
|                          |         |                              |                                   | P                                     | K    | M | N    |         |            | S                                  | R | L          |
| 1,0                      | 0,5     | <b>TE3.0100.05 VR/L</b>      | R AA7W L ANCX                     | X800                                  | X400 |   | 5,45 | 2,5     | R          | TE3.R.5.3                          | L | TE3.L.5.3  |
| 1,2                      | 0,6     | <b>TE3.0120.06 VR/L</b>      | R AHPN L AK8F                     | X800                                  | X400 |   | 5,6  | 3,0     | R          | TE3.R.5.3                          | L | TE3.L.5.3  |
| 1,5                      | 0,75    | <b>TE3.0150.07 VR/L</b>      | R AT74 L AT73                     | X800                                  | X400 |   | 5,6  | 5,0     | R          | TE3.R.5.3                          | L | TE3.L.5.3  |
| 1,575                    | 0,79    | <b>TE3.0157.079 VR</b>       | A449                              | X800                                  | X400 |   | 5,6  | 5,0     |            | <b>TE3.R.5.3</b>                   |   | <b>new</b> |
| 1,6                      | 0,8     | <b>TE3.0160.08 VR/L</b>      | R AB6N L AJAC                     | X800                                  | X400 |   | 5,6  | 5,0     | R          | TE3.R.5.3                          | L | TE3.L.5.3  |
| 1,8                      | 0,9     | <b>TE3.0180.09 VR/L</b>      | R AFP3 L AKC9                     | X800                                  | X400 |   | 5,6  | 5,0     | R          | TE3.R.5.3                          | L | TE3.L.5.3  |
| 2,0                      | 1,0     | <b>TE3.0200.10 VR/L</b>      | R APHH L ACYV                     | X800                                  | X400 |   | 5,6  | 5,0     | R          | TE3.R.5.3                          | L | TE3.L.5.3  |
| 2,2                      | 1,1     | <b>TE3.0220.11 VR/L</b>      | R AJ0Q L ANTV                     | X800                                  | X400 |   | 5,6  | 5,0     | R          | TE3.R.5.3                          | L | TE3.L.5.3  |
| 2,5                      | 1,25    | <b>TE3.0250.12 VR/L</b>      | R AAFE L AMTK                     | X800                                  | X400 |   | 5,6  | 5,0     | R          | TE3.R.5.3                          | L | TE3.L.5.3  |
| 2,8                      | 1,4     | <b>TE3.0280.14 VR/L</b>      | R ANA5 L AMFA                     | X800                                  | X400 |   | 5,6  | 5,0     | R          | TE3.R.5.3                          | L | TE3.L.5.3  |
| 3,0                      | 1,5     | <b>TE3.0300.15 VR/L</b>      | R AB7P L AD5J                     | X800                                  | X400 |   | 5,6  | 5,0     | R          | TE3.R.5.3                          | L | TE3.L.5.3  |
| 3,6                      | 1,8     | <b>TE3.0360.18 VR/L</b>      | R AT00 L AT01                     | X800                                  | X400 |   | 5,6  | 5,0     | R          | TE3.R.5.3                          | L | TE3.L.5.3  |
| 4,0                      | 2,0     | <b>TE3.0400.20 VR/L</b>      | R ANK8 L APDZ                     | X800                                  | X400 |   | 5,6  | 5,0     | R          | TE3.R.5.3                          | L | TE3.L.5.3  |

Bestellbeispiel // Order example: **TE3.0160.08 V R X800** (R = Rechte Ausführung // Right hand version, X800 = Schneidstoff // Grade)