

# Axialeinstiche in Bohrungen, Vollradius

Geeignet ab Bohrungsdurchmesser 14,0 mm.

## Face Grooving in bores, Full Radius

For use in bores as of minimum bore diameter 14,0 mm.

Schnittwerte (Start) // Cutting parameters (start)

f	Vc
0,02 mm/U	Seite/Page 429

Passende Klemmhalter auf Seite // Suitable toolholders on page  
**165, 166, 167**



Legende  
Legend **213**

Scan  
QR-Code

Oder besuchen Sie // Or Visit  
[www.simtek.info/cp/819](http://www.simtek.info/cp/819)

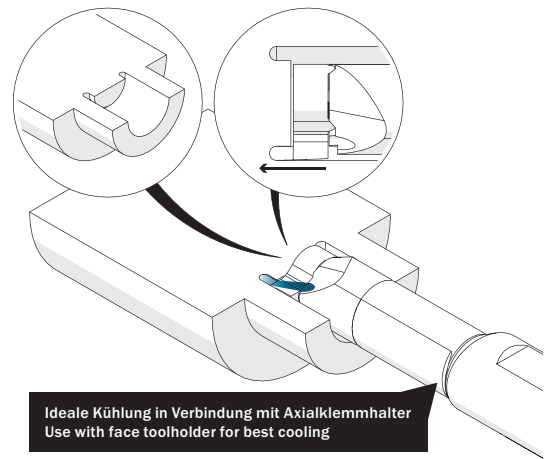
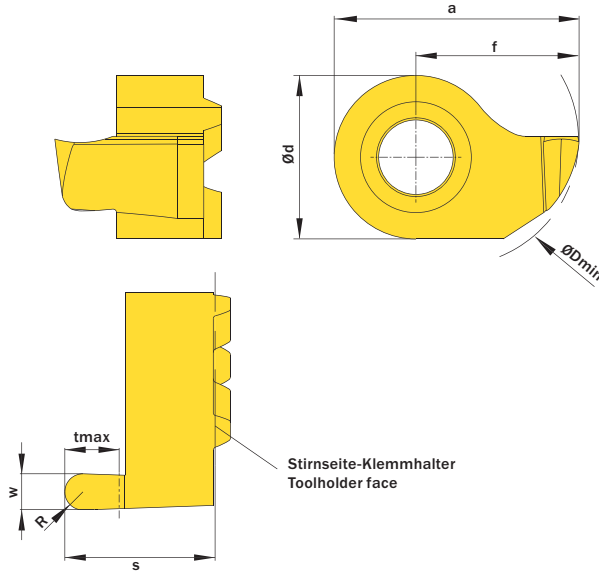


Abbildung zeigt / Drawing shows: D14.1420.10 AR

ØDmin (Min. Bohrung) ØDmin (min. bore)	w <sup>+0,03</sup>	R	Artikelnummer Part number	Webcode www.simtek.com/webcode	Unsere erste Wahl Our first choice	a	Ød	f	S	tmax	Connectcode www.simtek.com/ccode
mm	mm	mm			P K M N S	mm	mm	mm	mm	mm	
<b>▼ tmax = 1,5 mm</b>											
14,0	1,0	0,5	<b>D14.1410.05 AR/L</b>	R AEG0 L ACGA	X800 X400	13,5	9,0	9,0	8,3	1,5	R D14.A.R L D14.A.L
14,0	1,168	0,58	<b>D14.1412.058 AV R</b>	A4VQ	X800 X400	13,5	9,0	9,0	10,3	1,5	D14.A.R <b>new inch</b>
<b>▼ tmax = 2,5 mm</b>											
14,0	1,5	0,75	<b>D14.1415.07 AR/L</b>	R A1GH L A1GG	X800 X400	13,5	9,0	9,0	8,3	2,5	R D14.A.R L D14.A.L
14,0	1,6	0,8	<b>D14.1416.08 AR/L</b>	R ABNN L AFEQ	X800 X400	13,5	9,0	9,0	8,3	2,5	R D14.A.R L D14.A.L
<b>▼ tmax = 3,0 mm</b>											
14,0	2,0	1,0	<b>D14.1420.10 AR/L</b>	R APW0 L AHNX	X800 X400	13,5	9,0	9,0	8,3	3,0	R D14.A.R L D14.A.L
14,0	2,5	1,25	<b>D14.1425.12 AR/L</b>	R ANJW L ADX1	X800 X400	13,5	9,0	9,0	8,3	3,0	R D14.A.R L D14.A.L
14,0	3,0	1,5	<b>D14.1430.15 AR/L</b>	R AP37 L ABES	X800 X400	13,5	9,0	9,0	8,3	3,0	R D14.A.R L D14.A.L
<b>▼ tmax = 5,0 mm</b>											
14,0	2,0	1,0	<b>D14.1420.50 AV R/L</b>	R AWE5 L AWE4	X800 X400	13,5	9,0	9,0	10,3	5,0	R D14.A.R L D14.A.L
14,0	2,5	1,25	<b>D14.1425.50 AV R/L</b>	R AWE7 L AWE6	X800 X400	13,5	9,0	9,0	10,3	5,0	R D14.A.R L D14.A.L
14,0	3,0	1,5	<b>D14.1430.50 AV R/L</b>	R AWE9 L AWE8	X800 X400	13,5	9,0	9,0	10,3	5,0	R D14.A.R L D14.A.L

Bestellbeispiel // Order example: **D14.1420.10 AR X800** (R = Rechte Ausführung // Right hand version, X800 = Schneidstoff // Grade)