

# Klemmhalter, Innenbearbeitung, Rundschaft, „ME“

Rundschaft aus Hartmetall, besonders geeignet zur Erhöhung der möglichen Auskragung mit unserem neuen ME-Spannprinzip. Das ME-Spannsystem bietet kraftschlüssiges Spannen und dadurch optimale Präzision und Stabilität. Vier Kühlmittelzufuhrarten je nach Bedarf einstellbar.

# Toolholder, Internal Applications, Round Shank „ME“

Carbide round shank, suitable for extending the overall tool reach equipped with our brand new ME-clamping system. The ME-system provides force-fitted clamping along with higher precision and stability. Four different types of through coolant supply can be realized as required.

Anzugsmoment (Schraube) // Tightening torque (screw)

**15,0 Nm - 25,0 Nm**

Bitte Hinweise im Anhang beachten // Please read add. notes

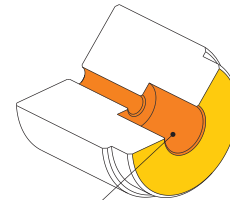
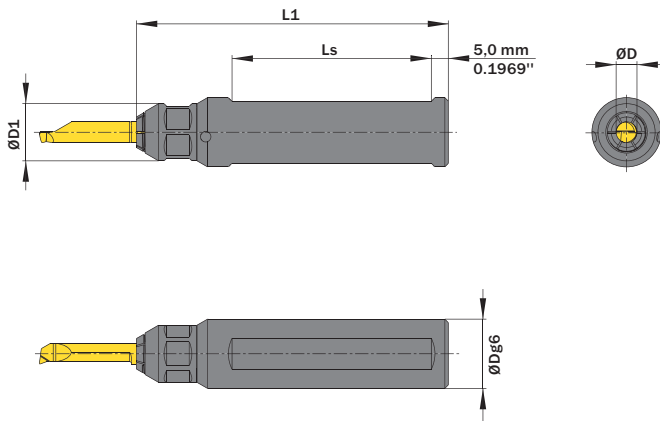
**MASTER (Seite/Page 137), T02 (Seite/Page 138)**

Scan QR-Code Oder besuchen Sie // Or Visit [www.simtek.info/cp/1276](http://www.simtek.info/cp/1276)

Legende Legend **139**



Entdecken Sie unsere simturn AX Halter „ME“. Discover our simturn AX toolholder „ME“.



- Hauptsächlich geeignet für diese Flächen  
Mainly designed for these Surfaces
- Je nach Schneidplatte ebenfalls möglich  
Also possible depending on insert type

| ØD  | ØDg6   | Artikelnummer<br>Part number | Webcode<br>www.simtek.com/webcode | ØD1  | L1    | Ls   | Standard Mutter<br>Standard screw nut | Connectcode<br>www.simtek.com/code |      |
|-----|--------|------------------------------|-----------------------------------|------|-------|------|---------------------------------------|------------------------------------|------|
| mm  | mm     |                              |                                   | mm   | mm    | mm   |                                       |                                    |      |
| 8,0 | 15,875 | <b>A08.0.625.ME IC</b>       | A10N                              | 19,0 | 75,0  | 42,0 | A00.K.19.15.138                       | A08T                               | Inch |
| 8,0 | 16,0   | <b>A08.0016.ME IC</b>        | A10Q                              | 19,0 | 75,0  | 42,0 | A00.K.19.15.138                       | A08T                               |      |
| 8,0 | 19,05  | <b>A08.0.750.ME IC</b>       | A10P                              | 19,0 | 110,0 | 75,0 | A00.K.19.15.138                       | A08T                               | Inch |
| 8,0 | 20,0   | <b>A08.0020.ME IC</b>        | A10S                              | 19,0 | 110,0 | 75,0 | A00.K.19.15.138                       | A08T                               |      |
| 8,0 | 22,0   | <b>A08.0022.ME IC</b>        | A2TF                              | 19,0 | 110,0 | 75,0 | A00.K.19.15.138                       | A08T                               |      |
| 8,0 | 25,0   | <b>A08.0025.ME IC</b>        | A10T                              | 19,0 | 110,0 | 75,0 | A00.K.19.15.138                       | A08T                               |      |
| 8,0 | 25,4   | <b>A08.1.000.ME IC</b>       | A10U                              | 19,0 | 110,0 | 75,0 | A00.K.19.15.138                       | A08T                               | Inch |

Bestellbeispiel // Order example: **A08.0016.ME IC**

- Für Individual-Schneidwerkzeuge auch ab A04 erhältlich.
- For customized cutting tools also available as of size A04.